

Technical sheet :

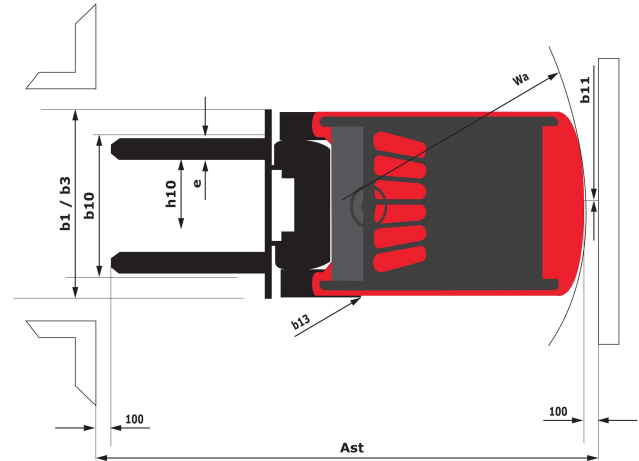
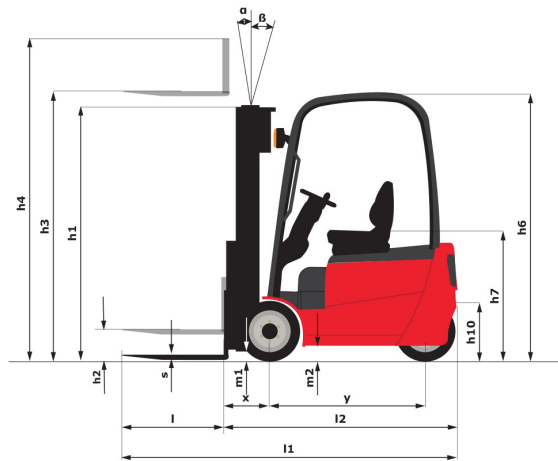
ME 425C



Technical characteristics			Metric	Imperial
1.1	Manufacturer		Manitou	Manitou
1.2	Model Name		ME 425 C	ME 425 C
1.3	Power source		Electric	Electric
1.4	Operator type		Seated	Seated
1.5	Max. capacity	Q	2500 kg	5512 lbs
1.6	Load centre of gravity	c	500 mm	19.685 in
1.8	Load distance, centre of drive axle to fork	x	448 mm	17.638 in
1.9	Wheelbase	y	1485 mm	58.465 in
Weight				
2.1	Service Weight		4300 kg	9480 lbs
2.2	Weight on front axle (laden) / rear axle (laden)		6060 kg / 740 kg	13360 lbs / 1631 lbs
2.3	Weight on front axle (Unladen) / rear axle (Unladen)		1960 kg / 2340 kg	4321 lbs / 5159 lbs
Wheels				
3.1	Tyres type		PPS	PPS
3.2	Dimensions of front wheels		23 x 9-10	23 x 9-10
3.3	Dimensions of rear wheels		18 x 7-8	18 x 7-8
3.5	Number of front wheels / rear wheels		2 / 2	2 / 2
3.2	Number of drive wheels		2	2
3.6	Front wheel gauge	b10	1058 mm	41.654 in
3.7	Rear wheel gauge	b11	960 mm	37.795 in
Dimensions				
4.1	Tilt of Mast Forward (deg) / Backward (deg)	α / β	5 / 10	5 / 10
4.7	Height of overhead guard (cabin)	h6	2155 mm	84.843 in
4.8	Seat height/stand height	h7	1070 mm	42.126 in
4.12	Height of towing bar (coupling height)	h10	303 mm	11.929 in
4.19	Overall length	l1	3492 mm	137.48 in
4.20	Length to face of forks	l2	2342 mm	92.205 in
4.21	Overall width	b1	1265 mm	49.803 in
4.22	Forks section / width / length	s / e / l	122 mm x 1150 mm / 40 mm	4.803 in x 45.276 in / 1.575 in
4.23	Fork carriage ISO 2328 (class/form) A/B		2A	2A
4.24	Fork carriage width	b3	1038 mm	40.866 in
4.31	Ground clearance below mast	m1	112 mm	4.409 in
4.32	Ground clearance at centre of wheelbase	m2	120 mm	4.724 in
4.33	Aisle width for 1000 x 1200 pallet widthways	Ast	3738 mm	147.165 in
4.34	Aisle width for 800 x 1200 pallet lengthways	Ast	3938 mm	155.039 in
4.35	Turning radius	Wa	2090 mm	82.283 in
4.36	Internal turning radius (over tyres)	b13	730 mm	28.74 in
Performances				
5.1	Travel speed (laden / unladen)		14 km/h / 14 km/h	8.7 mph / 8.7 mph
5.2	Lifting speed (laden / unladen)		0.23 m/s / 0.43 m/s	0.75 ft/s / 1.41 ft/s
5.3	Lowering speed (laden / unladen)		0.41 m/s / 0.22 m/s	1.35 ft/s / 0.72 ft/s
5.5	Drawbar pull (Laden / Unladen)		1800 daN / 1700 daN	1800 daN / 1700 daN
5.7	Gradeability - laden / unladen		11 % / 12 %	11 % / 12 %
5.9	Service brake		Hydraulic	Hydraulic

Engine				
6.1	Drive motor rating S2 60 min		2 x 11 kW	2 x 11 kW
6.2	Lift motor rating at S3 15%		8.6 kW	8.6 kW
6.3	Battery according to DIN 43531/35/36 A, B, C		DIN43531 B	DIN43531 B
6.4	Battery / Batteries capacity		48 V / 700 Ah	48 V / 700 Ah
6.6	Energy consumption		5.8 kW/h	5.8 kW/h
	Fuel consumption according to VDI cycle		5.8 l/h	5.8 l/h
Miscellaneous				
8.1	Type of drive control		Electronic	Electronic
8.2	Working hydraulic pressure for attachments		175 Bar	12 PSI
8.3	Oil flow rate for attachments		35 l/min	35 l/min
8.4	Measured/guaranteed mean noise level at the ear of the operator		< 72 dB(A)	< 72 dB(A)

Dimensional drawing



Characteristics of masts and residual capacities

Full Visibility Duplex		FVD 27	FVD 30	FVD 33	FVD 36	FVD 40	FVD 43	FVD 45
h2 - Free lift	mm	140	140	140	140	140	140	140
h1 - Height mast lowered *	mm	1855	2005	2170	2305	2555	2730	2830
h3 - Lifting Height	mm	2700	3000	3300	3600	4000	4300	4500
h4 - Height mast extended *	mm	3350	3650	3980	4250	4650	4970	5150
α / β - Mast inclination (front / rear)	°	5 / 6	5 / 10	5 / 10	5 / 10	5 / 10	5 / 6	5 / 6
Residual capacity without attachment (Industrial load chart)	kg	2500	2500	2500	2500	2500	2500	2450
Residual capacity with integrated side shift (Industrial load chart)	kg	2500	2500	2500	2500	2500	2450	2400
Residual capacity with hooked-on side shift (Industrial load chart)	kg	2500	2500	2500	2450	2400	2350	2300
Height at max capacity	mm	2700	3000	3300	3600	4000	4300	4500
Height at max capacity with integrated sideshift	mm	2700	3000	3300	3600	4000	4000	4000

Free Lift Duplex		FLD 27	FLD 30	FLD 33	FLD 36	FLD 40
h2 - Free lift	mm	1250	1350	1500	1650	1900
h1 - Height mast lowered *	mm	1866	1980	2130	2280	2530
h3 - Lifting Height	mm	2700	3000	3300	3600	4000
h4 - Height mast extended *	mm	3370	3635	3970	4270	4635
α / β - Mast inclination (front / rear)	°	5 / 6	5 / 10	5 / 10	5 / 10	5 / 10
Residual capacity without attachment (Industrial load chart)	kg	2500	2500	2500	2500	2500
Residual capacity with integrated side shift (Industrial load chart)	kg	2500	2500	2500	2500	2500
Residual capacity with hooked-on side shift (Industrial load chart)	kg	2500	2500	2500	2450	2400
Height at max capacity	mm	2700	3000	3300	3600	4000
Height at max capacity with integrated sideshift	mm	2700	3000	3300	3600	4000

Free Lift Triplex		FLT 40	FLT 43	FLT 45	FLT 48	FLT 50	FLT 55	FLT 60	FLT 65
h2 - Free lift	mm	1255	1355	1425	1525	1590	1755	1975	2150
h1 - Height mast lowered *	mm	1925	2025	2095	2195	2260	2425	2645	2820
h3 - Lifting Height	mm	4000	4300	4500	4800	5000	5500	6000	6500
h4 - Height mast extended *	mm	4680	4980	5230	5480	5680	5180	6690	7180
α / β - Mast inclination (front / rear)	°	5 / 6	5 / 6	5 / 6	5 / 6	5 / 6	3 / 6	3 / 6	3 / 6

Free Lift Triplex		FLT 40	FLT 43	FLT 45	FLT 48	FLT 50	FLT 55	FLT 60	FLT 65
Residual capacity without attachment (Industrial load chart)	kg	2500	2450	2350	2250	2150	2050	1650	1350
Residual capacity with integrated side shift (Industrial load chart)	kg	2450	2450	2300	2200	2100	2000	1600	1300
Residual capacity with hooked-on side shift (Industrial load chart)	kg	2350	2300	2250	2100	2050	1900	1500	1200
Height at max capacity	mm	4000	4300	4000	4000	4000	4000	4000	4000
Height at max capacity with integrated sideshift	mm	4000	4300	4000	4000	4000	4000	4000	



Siège Social

430 rue de l'Aubinière - 44150 Ancenis Cedex - France

Tel: +33(0)2 40 09 10 11 - Fax: +33 (0)2 40 09 10 97

www.manitou.com



This brochure describes versions and configuration options for Manitou products which may be fitted with different equipment. The equipment described in this brochure may be standard, optional or not available depending on version. Manitou reserves the right to change the specifications shown and described at any time and without prior warning. The manufacturer is not liable for the specifications given. For more information, contact your Manitou dealer. Non-contractual document. Product descriptions may differ from actual products. List of specifications is not comprehensive. The logos and visual identity of the company are the property of Manitou and may not be used without authorisation. All rights reserved. The photos and diagrams contained in this brochure are provided for information only.

MANITOU BF SA - Limited company with board of directors - Share capital: 39,668,399 euros - 857 802 508
RCS Nantes