

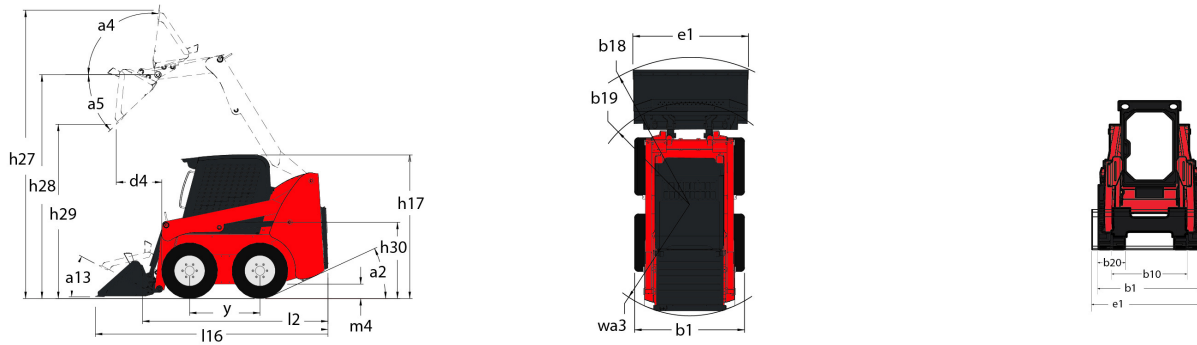
Technical sheet :

2600 R



Capacities		Metric	Imperial
Rated Operating Capacity		1179 kg	2599 lbs
Rated Operating Capacity with Optional Counterweight		1261 kg	2780 lbs
Unladen weight		3719 kg	8199 lbs
Weight and dimensions			
Overall Operating Height - Fully Raised	h27	4089 mm	160.984 in
Height to Hinge Pin - Fully Raised	h28	3124 mm	122.992 in
Overall Height to Top of Rops	h17	2057 mm	80.984 in
Dump angle at full height	a5	40 °	40 °
Dump height	h29	2488 mm	97.953 in
Overall length with bucket	l16	3632 mm	142.992 in
Dump reach at full height		686 mm	27.008 in
Rollback at ground		28 °	28 °
Seat to ground height	h30	1016 mm	40 in
Wheelbase	y	1257 mm	49.488 in
Overall width less bucket	b1	1664 mm	65.512 in
Bucket Width	e1	203 mm	7.992 in
Ground clearance	m4	203 mm	7.992 in
Overall length - Less Bucket	l2	2832 mm	111.496 in
Departure angle	a2	25 °	25 °
Clearance Circle - Rear	wa1	1626 mm	64.016 in
Performances			
Travel speed (unladen)		12.9 km/h	8 mph
Travel Speed with Two-Speed Option - Maximum		19.2 km/h	11.9 mph
Wheels			
Standard tyres		12.00x16.5 HD	12.00x16.5 HD
Engine			
Engine brand		Yanmar	Yanmar
Engine model		4TNV98CT-NMS	4TNV98CT-NMS
Gross Power (kW)		53.7 kW	53.7 kW
Net Power (kW)		52.7 kW	52.7 kW
Max. torque / Engine rotation		294 Nm/m / 2500 tr/min	294 Nm/m / 2500 tr/min
Battery		12 V	12 V
Starter (kW)		3 kW	3 kW
Hydraulics			
Auxiliary hydraulics		90.1 l/min	90.1 l/min
Auxiliary Hydraulic Pressure		228 Bar	16 PSI
High-Flow Auxiliary Hydraulics - Option (L/min)		132.5 l/min	132.5 l/min
High-Flow Auxiliary Hydraulics Pressure - Option		221 Bar	15 PSI
Tank capacities			
Fuel tank		81.40 l	17.91 gal
Reservoir Capacity Hydraulics		30.30 l	6.67 gal
Displacement		3.30 l	0.73 gal
Noise and vibration			
Environmental noise (LwA)		101 dB(A)	101 dB(A)
Noise at driving position (LpA)		85 dB(A)	85 dB(A)
Whole-Body Vibration (ISO 2631-1)		<0.96 m/s ²	<0.96 m/s ²
Vibration to whole hand/arm		<1.50 m/s ²	<1.50 m/s ²

Dimensional drawing



Equipment

Hydrostatic Drive - Servo	Standard
Integral Access Plate (removable)	Standard
Selectable Self-Leveling Hydraulic Lift Action 4	Optional
Lifting function	
All-Tach® Attachment Mounting System	Standard
Auxiliary Hydraulics	Standard
High-Flow Auxiliary Hydraulics	Optional
Power-A-Tach® Attachment Mounting System	Optional
Lighting	
Work Lights - Front and Rear	Standard
Motorization/Power	
Engine Auto-Shutdown System	Standard
Engine Block Heater	Optional
Turbo-Charged Engine	Standard
Two-Speed Drive	Optional
Operator station	
Adjustable Arm Rests / Control Towers 1	Standard
Air conditioning with manual adjustment	Optional
Air suspension seat	Optional
Cab Enclosure	Optional
Dual-Hand Controls	Optional
Foot and Hand Throttles 2	Standard
Gehl T-Bar Controls	Optional
Hand/Foot Controls	Optional
Heating	Optional
High-Back Adjustable Seat	Standard
Horn	Standard
Joystick controls	Optional
ROPS/FOPS Level III Overhead Guard	Standard
Sound Reduction Material	Standard
Suspension Seat - Mechanical	Optional
Safety	
Back-Up Alarm	Standard
Brake Control (Auto / Manual)	Standard
Hydraloc™ Safety System	Standard
Lift Arm Support Device	Standard

Safety	
Operator Restraint Bar	Standard
Secondary functions	
Counterweight	Optional
Full Instrumentation	Standard
Hydraglide™ Ride Control 3	Optional



Siège Social

430 rue de l'Aubinière - 44150 Ancenis Cedex - France

Tel: +33(0)2 40 09 10 11 - Fax: +33 (0)2 40 09 10 97

www.manitou.com



This brochure describes versions and configuration options for Manitou products which may be fitted with different equipment. The equipment described in this brochure may be standard, optional or not available depending on version. Manitou reserves the right to change the specifications shown and described at any time and without prior warning. The manufacturer is not liable for the specifications given. For more information, contact your Manitou dealer. Non-contractual document. Product descriptions may differ from actual products. List of specifications is not comprehensive. The logos and visual identity of the company are the property of Manitou and may not be used without authorisation. All rights reserved. The photos and diagrams contained in this brochure are provided for information only.

MANITOU BF SA - Limited company with board of directors - Share capital: 39,668,399 euros - 857 802 508
RCS Nantes